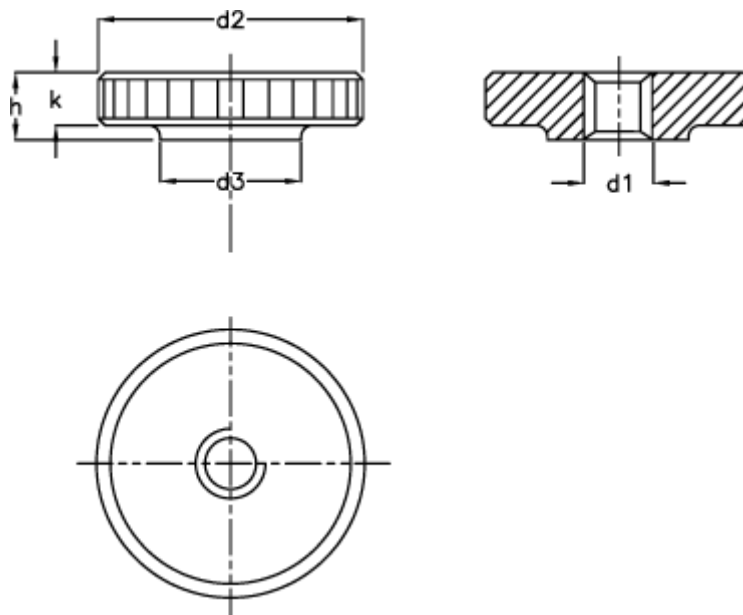


Article number: 207025111

Description: E+G Steel flat knurled nut DIN 467-M10-NI

Measures



$d_1 = M10$

$d_2 = 36$

$d_3 = 20$

$h = 10$

$K = 8.0$